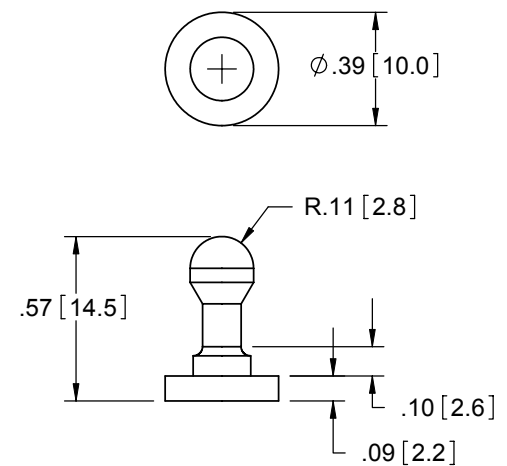
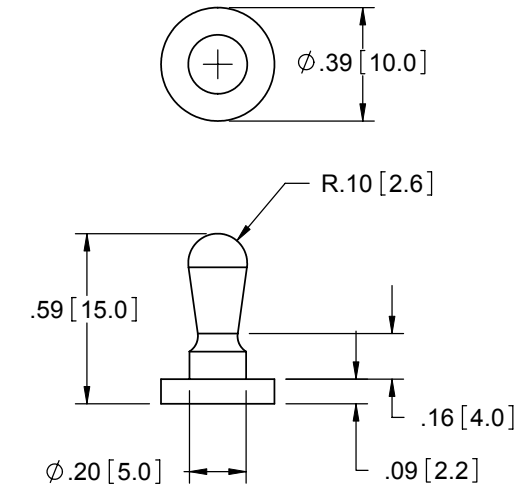


P/N: CS-113-1 CATCH
 1. MATERIAL: SUPERTOUGH NYLON 6/6 (RMS-73).
 2. COLOR: BLACK.

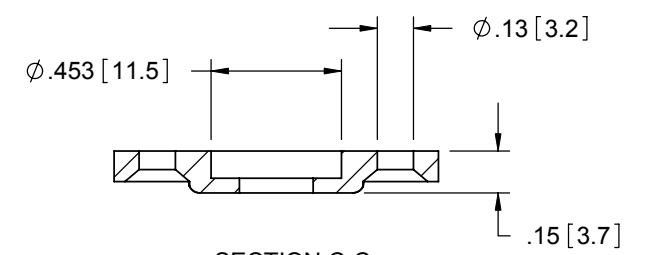
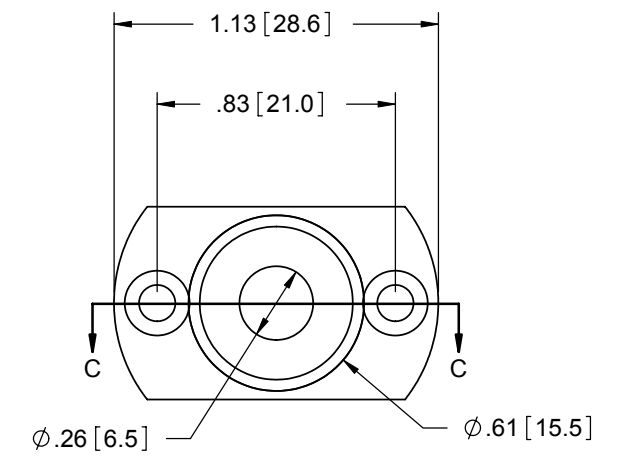
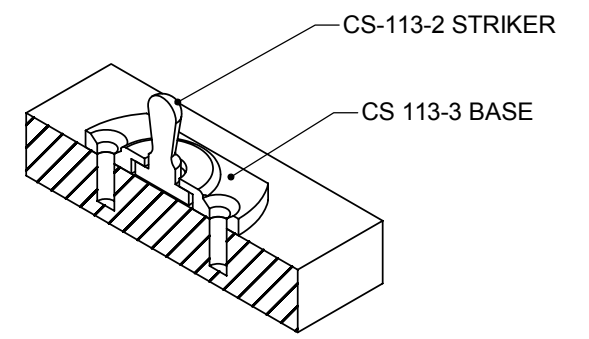
P/N: CS-113-4 CATCH
 1. MATERIAL: NYLON 6/6 (RMS-159).
 2. COLOR: NATURAL.



P/N: CS-113-5 STRIKER
 1. MATERIAL: NYLON 6/6 (RMS-01).
 2. COLOR: NATURAL.



P/N: CS-113-2 STRIKER
 1. MATERIAL: SUPERTOUGH NYLON 6/6 (RMS-73).
 2. COLOR: BLACK.



P/N: CS-113-3 BASE
 1. MATERIAL: ACETAL (RMS-39).
 2. COLOR: BLACK.

TITLE: CATCH AND STRIKERS																													
<table border="1"> <tr> <td>E</td> <td>SEE ECN #1312 FOR CHANGES</td> <td>SK</td> <td>04/11/07</td> </tr> <tr> <td>D</td> <td>ADDED CS-113-5 PART, SEE ECN 866</td> <td>SM</td> <td>10/12/04</td> </tr> <tr> <td>C</td> <td>SEE ECN #801 FOR CHANGES</td> <td>SM</td> <td>06/14/04</td> </tr> <tr> <td>B</td> <td>SEE ECN #521 FOR CHANGES</td> <td>SM</td> <td>11.14.02</td> </tr> <tr> <td>A</td> <td>UPDATED PRINT AND CHANGED FILE NO.</td> <td>SM</td> <td>03.12.02</td> </tr> <tr> <td>REV.</td> <td>DESCRIPTION</td> <td>ENGR.</td> <td>DATE</td> </tr> </table>	E	SEE ECN #1312 FOR CHANGES	SK	04/11/07	D	ADDED CS-113-5 PART, SEE ECN 866	SM	10/12/04	C	SEE ECN #801 FOR CHANGES	SM	06/14/04	B	SEE ECN #521 FOR CHANGES	SM	11.14.02	A	UPDATED PRINT AND CHANGED FILE NO.	SM	03.12.02	REV.	DESCRIPTION	ENGR.	DATE	CREATED USING SOLIDWORKS TOLERANCES UNLESS NOTED .XX=±.010 .XXX=±.005 FRAC.=±1/64 ANG.=±1°	FILE #: CS SERIES SHEET: 1 OF 1 SHEET SIZE: B RE: RICHCO, INC --	DWN: J.B DT: 08/20/96 APP: - CHKD: - RICHCO, INC. ENG@RICHCO-INC.COM (773) 539-4060	DWG IN IN [MM] FINAL PART # SEE DRAWING	PRINT TYPE CA
E	SEE ECN #1312 FOR CHANGES	SK	04/11/07																										
D	ADDED CS-113-5 PART, SEE ECN 866	SM	10/12/04																										
C	SEE ECN #801 FOR CHANGES	SM	06/14/04																										
B	SEE ECN #521 FOR CHANGES	SM	11.14.02																										
A	UPDATED PRINT AND CHANGED FILE NO.	SM	03.12.02																										
REV.	DESCRIPTION	ENGR.	DATE																										